

Automotive Ethernet Interoperability Test Platform

A Golden Device for Open Alliance Layer 1 Interoperability Tests



Test Content

Link-up time

- ⇒ Link-up time - Trigger: Power on Golden Device
- ⇒ Link-up time - Trigger: Power on ECU
- ⇒ Link-up time - Trigger: Wake up ECU

Signal Quality

- ⇒ Indicated signal quality for channel with decreasing quality
- ⇒ Indicated signal quality for channel with increasing quality

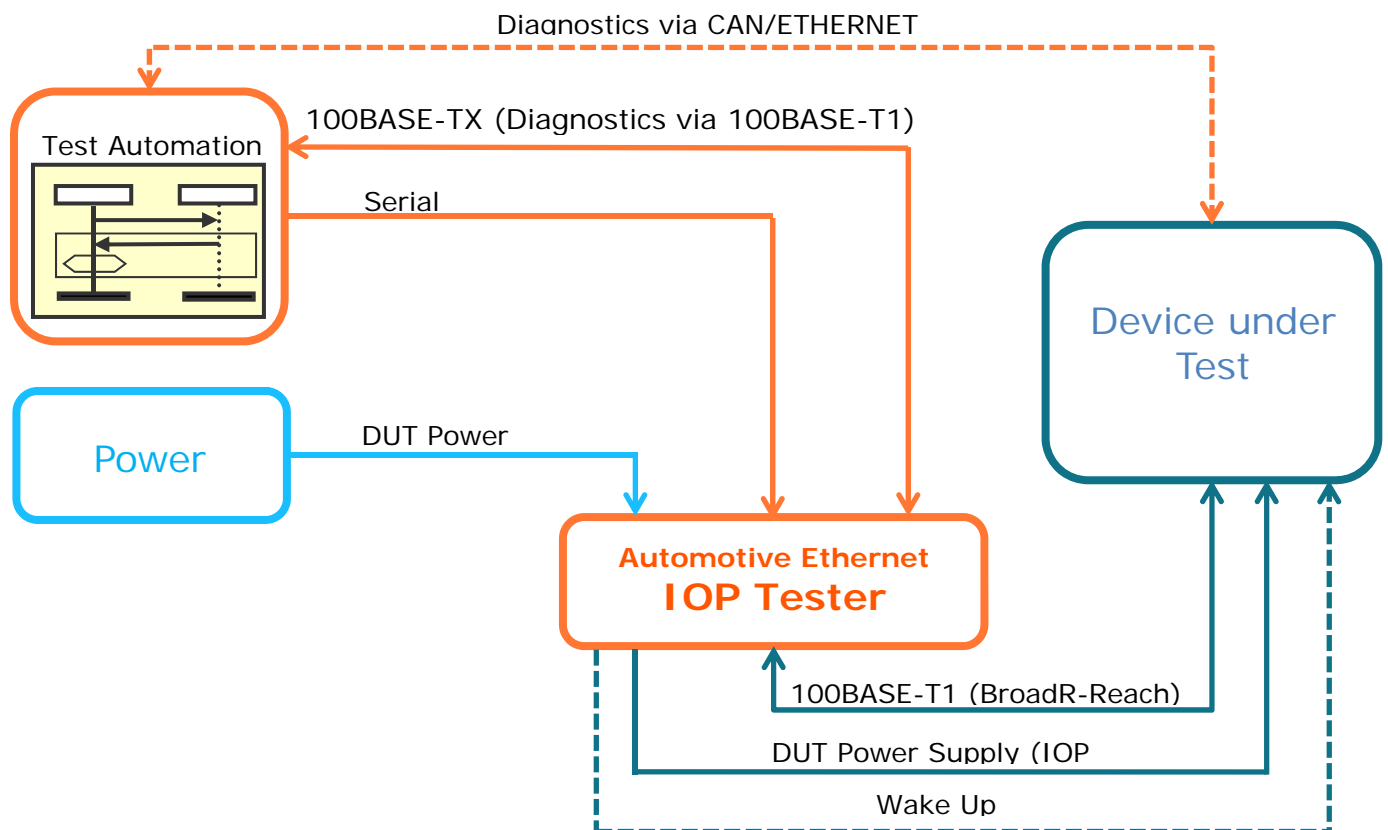
Cable Diagnose

- ⇒ Cable diagnostics for ground detection
- ⇒ Cable diagnostics for near and far end open
- ⇒ Cable diagnostics for near and far end short

Open API

Automotive Ethernet Interoperability Test Platform

Test Setup Example



RUETZ SYSTEM SOLUTIONS

With comprehensive expertise in data communication for automotive electronic systems Ruetz System Solutions offers **Compliance Tests, Engineering Services for system specification and integration, Test Laboratories, Technology Assessment and Automotive Ethernet Trainings.**

More information is available at www.ruetz-system-solutions.com.

Contact

RUETZ SYSTEM SOLUTIONS GmbH
Walter-Gropius-Strasse 17
81543 Munich, Germany
T +49 89 2000 413-0
E info@ruetz-system-solutions.com